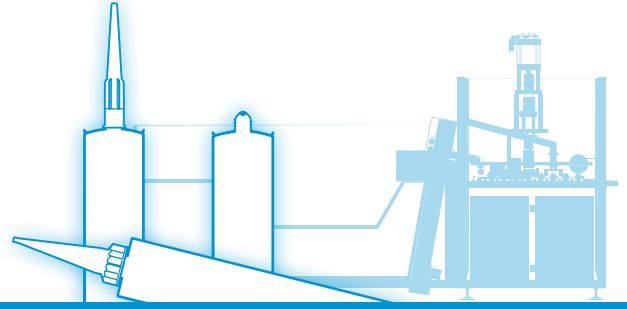
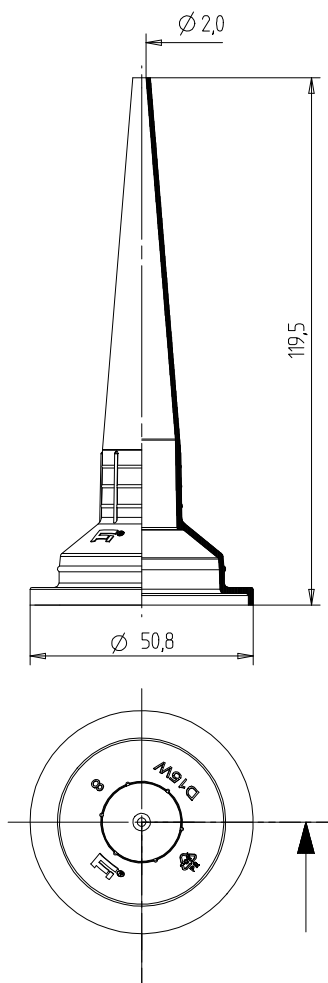


# Nozzles



## Type D 15 W



### CAN BE COMBINED WITH

foil bag applications

### ADVANTAGEOUS FEATURES

- special nozzle for high-viscosity sealing compounds
- adaptation to special application devices

### TECHNICAL SPECIFICATION

**Material:** HDPE  
**Weight:** 7.2 g  
**Packaging unit:** 700 pieces/box

General tolerance: DIN 16 901-150. Subject to technical changes.

Our product recommendations are based on empirical data only and cannot replace the customer's own tests.



**Fischbach KG**  
 51766 Engelskirchen, Germany  
 Telefon: +49 (0) 2263 6090  
 Telefax: +49 (0) 2263 60358  
 info@fischbach-fi.com

**Fischbach Korea Co., Ltd.**  
 Songpa-Gu, Seoul, Korea  
 Telefon: +82 2 425 3092  
 Telefax: +82 2 425 3191  
 korea@fischbach-fi.com

**Fischbach Ibérica, S.A.**  
 17410 Sils (Girona), Spain  
 Telefon: +34-972-16 84 87  
 Telefax: +34-972-16 83 24  
 spain@fischbach-fi.com

**Fischbach (Shanghai) Co., Ltd.**  
 Shanghai, China 201708  
 Telefon: +86-21-6979-1423  
 Telefax: +86-21-6979-1426  
 china@fischbach-fi.com

**Fischbach Belgium N.V.**  
 9140 Temse, Belgium  
 Telefon: +32-3-710 96 20  
 Telefax: +32-3-710 96 31  
 belgium@fischbach-fi.com

**Fischbach U.K. Ltd.**  
 Cheshire WA7 1SN, Great Britain  
 Telefon: +44-1928-579320  
 Telefax: +44-1928-579403  
 uk@fischbach-fi.com

**Fischbach USA Inc.**  
 Elizabethtown, Kentucky, 42701 USA  
 Telefon: +1-270-7 69 93 33  
 Telefax: +1-270-7 69 96 23  
 usa@fischbach-fi.com